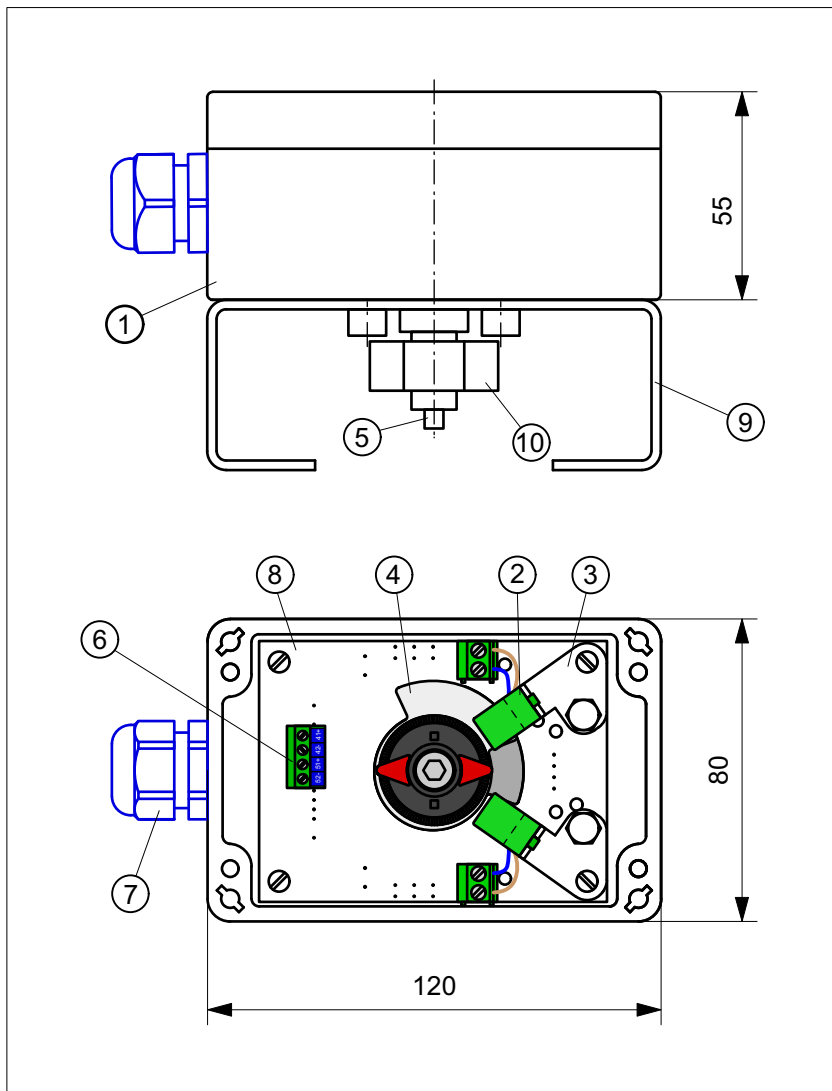




# ET-Module PF3NVAZ0

ET-Module with two proximity switches Pepperl+Fuchs type SJ3,5-N on circuit board in Vestamid-Housing 120x80x55 mm



## TECHNICAL DATA

Manufacturer: Pepperl+Fuchs  
 Type: SJ3,5-N, slot type  
 NAMUR,  
 Normally closed contact  
 Depth of immersion: 5 ... 7 mm  
 Nominal voltage: 8,2 V DC  
 Current consumpt.:  $\geq 3$  mA, inactive  
 $\leq 1$  mA, active  
 Ambient temp.:  $-25 \dots +85^{\circ}\text{C}^*$   
 Switch. frequency: 0 ... 3000 Hz  
 Housing: Vestamid, black  
 Sealing: EPDM  
 Ingress protection: IP65  
 Switching precision:  $< 1.5^{\circ}$   
 System connection: Cable gland M20x1,5  
 Clamp. range 8...13 mm  
 Clamps: Screw clamps  
 up to 1,5 mm<sup>2</sup>

**II 2G Ex ia IIC T6 Gb**

EC-type examination certificate no.  
PTB 99 ATEX 2219 X

\* The assignment between the max. permissible ambient temperature, the temperature class and the electrical supply data of the intrinsically safe circuit, must be taken from the EC-type examination certificate of the sensor.

## OBJECT LIST

Pos.	Pcs.	Description	Material
1	1	Housing	Vestamid
2	2	P+F SJ3,5-N	-
3	2	Fastener SJ	A2
4	2	Switch plate	ABS + nickel plated
5	1	Axis Standard	A2
6	1	Screw clamp, 4-pole	-
7	1	Cable gland M20x1,5	PA
8	1	Circuit board	-
9	1	Bracket size 1 - 4	A2
10	1	Position indicator	PE

## WIRING DIAGRAM

