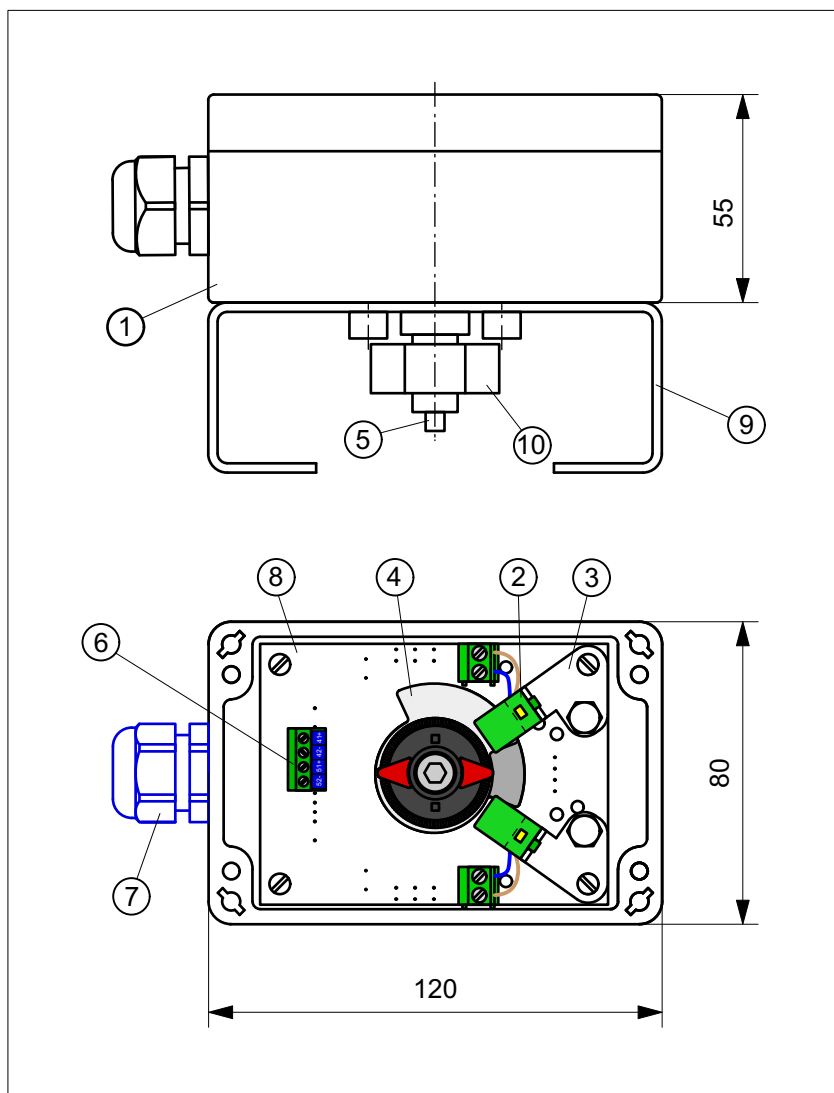




ET-Module PF3NLVFAZ0

ET-Module with two proximity switches Pepperl+Fuchs SC3,5-N0 on circuit board in Vestamid-Housing 120x80x55 mm, with vision panel



TECHNICAL DATA

Manufacturer: Pepperl+Fuchs
 Type: SC3,5-N0, slot type
 NAMUR,
 Normally closed contact

Depth of immersion: 5 ... 7 mm
 Nominal voltage: 8 V DC
 Operating current: 5 ... 25 V DC
 Current consumpt.: >= 3 mA, inactive
 <= 1 mA, active

Temperature: -25 ... +85°C
 Switch. frequency: 0 ... 3000 Hz
 Signal: LED, yellow
 Housing: Vestamid, black
 Cover with vision panel

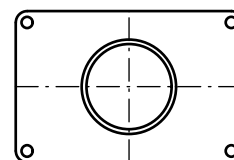
Sealing: EPDM
 Ingress protection: IP67 (Sensor)
 IP65 (Housing)

Switching precision: <1.5°
 System connection: Cable gland M20x1,5
 Clamp. range 7...13 mm

Clamps: Screw clamps
 up to 1,5 mm²



EC-Type Examination Certificate No.
PTB 99 ATEX 2219 X



Housing cover with vision panel ø45

OBJECT LIST

Pos.	Pcs.	Description	Material
1	1	Housing	Vestamid
2	2	P+F SC3,5-N0	-
3	2	Fastener SJ	A2
4	2	Switch plate	ABS + matt nickel pl.
5	1	Axis Standard	A2
6	1	Screw clamp, 4-pole	-
7	1	Cable gland M20x1,5	PA
8	1	Circuit board	-
9	1	Bracket size 1 - 4	A2
10	1	Position indicator	PE

WIRING DIAGRAM

