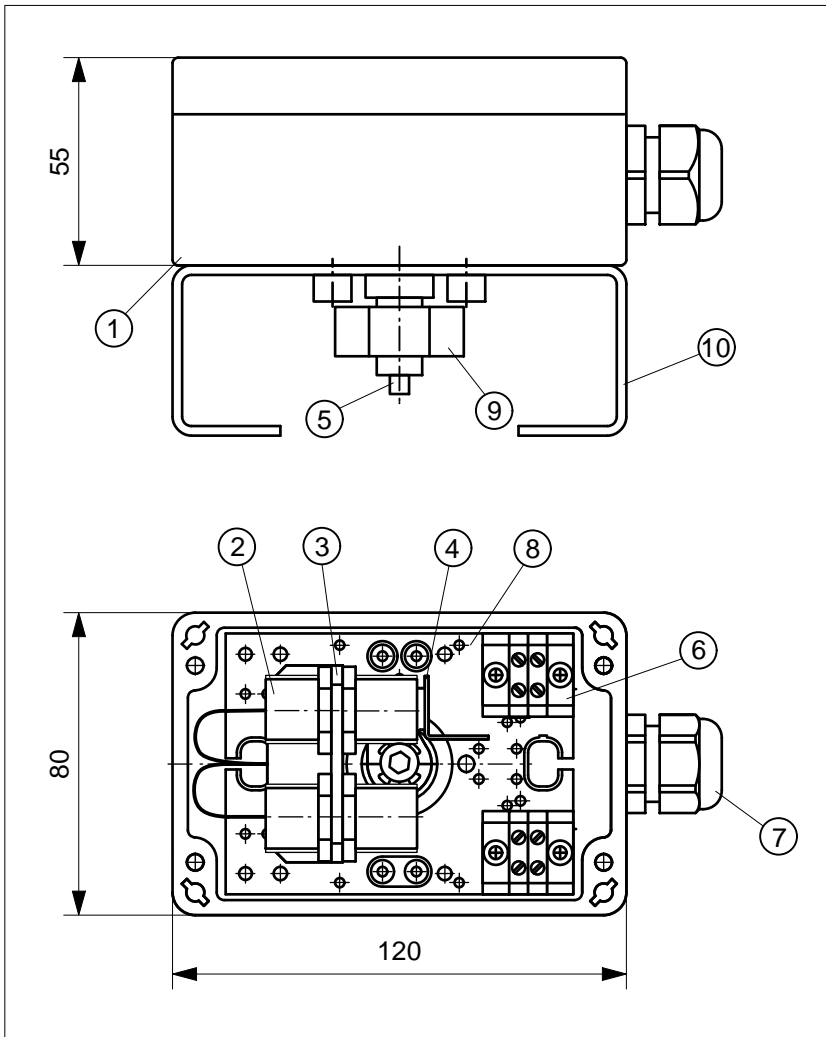




ET-Module PF818MVAZ

ET-Module with two proximity switches Pepperl&Fuchs NCN8-18GM40-N0, in Vestamid-Housing 120x80x55 mm



TECHNICAL DATA

Manufacturer: Pepperl+Fuchs
 Type: NCN8-18GM40-N0
 NAMUR,
 Normally closed contact

Operating distance: 8 mm
 Nominal voltage: 8 V DC
 Current consumpt. ≥ 3 mA, inactive
 ≤ 1 mA, active

Temperature: $-25 \dots +85^\circ\text{C}$
 Output: short-circuit-protection,
 reverse polarity protect.

Switch. frequency: 0 ... 300 Hz
 Signal: All around-LED, yellow
 Housing: Vestamid, black
 Sealing: EPDM
 Ingress protection: IP67 (Sensor)
 IP65 (Housing)

Switching precision: $<1.5^\circ$
 System connection: Cable gland M20x1,5
 Clamp. range 8-13 mm

Ex II 2G Ex ia IIC T6 Gb

EC-type examination certificate
PTB 00 ATEX 2048 X

OBJECT LIST

Pos.	Pcs.	Description	Material
1	1	Housing	Vestamid
2	2	P+F NCN8-18GM40-N0	-
3	1	Mounting angle	Aluminium
4	1	Switch flag	A2
5	1	Axis proximity switch	A2
6	2	Terminal block, 2-pole	-
7	1	Cable gland M20x1,5	PA
8	1	Mounting plate	PA 6
9	1	Position indicator	PE
10	1	Bracket size 1 - 4	A2

WIRING DIAGRAM

