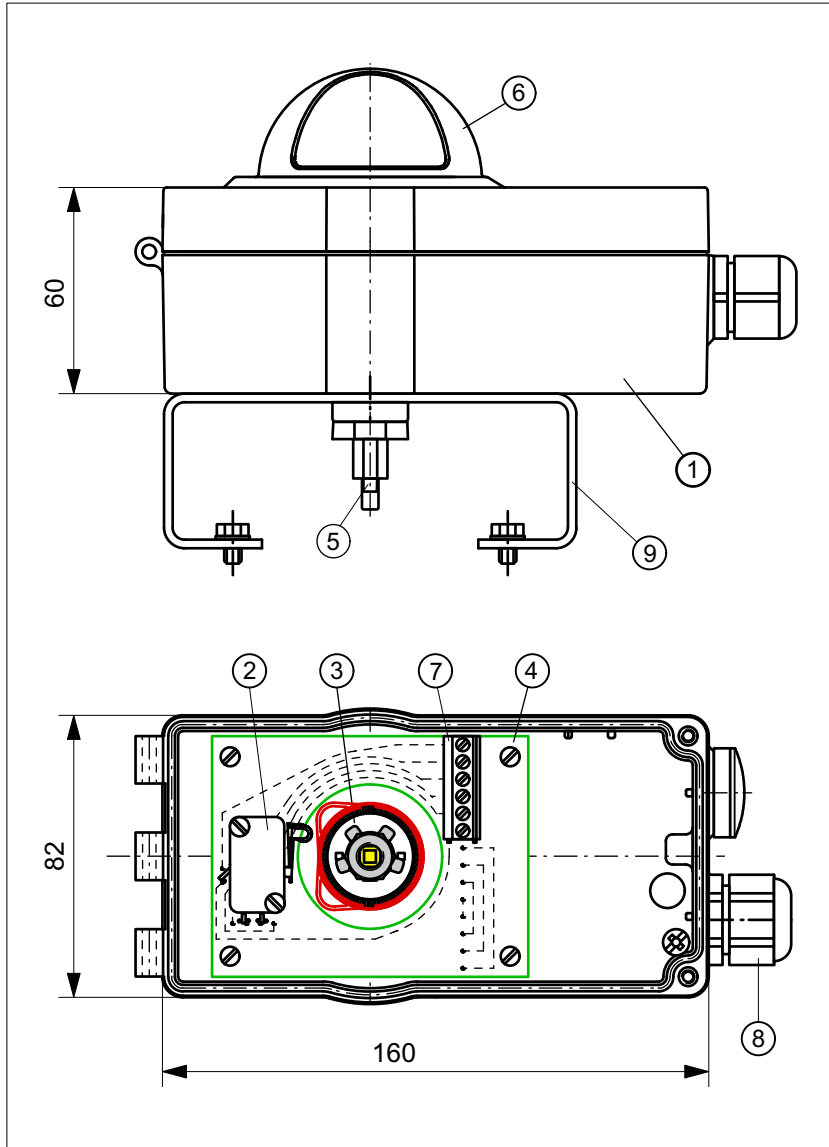




# ALB-Module ACR3ASTAZ10

ALB-Module with two micro-switches Crouzet 83.161.301 on circuit board in Aluminium housing 160x82x60 mm, with high vision beacon "OPEN+CLOSED"



## TECHNICAL DATA

Manufacturer: Crouzet  
 Type: 83.161.301 micro-switch  
 Switching power: 4 A, 230 V AC  
 Contacts: Silver-nickel  
 Mechanical Life: 2 x 10<sup>7</sup> operating cycles  
 Temperature: -25 ... +85°C  
 Housing: Aluminium  
 Sealing: PUR  
 Ingress protection: IP65  
 Switching precision: < 1,5°  
 System connection: Cable gland M20x1,5  
 Clamp. range 8...13 mm

## OBJECT LIST

Pos.	Pcs.	Description	Material
1	1	Housing	Aluminium
2	2	Crouzet 83.161.301	-
3	1	Switch cam system	POM
4	1	Circuit board	-
5	1	Axis proximity switch	POM
6	1	Vision beacon "OPEN+CLOSED"	-
7	1	Screw clamps, 6-pole	-
8	1	Cable gland M20x1,5	PA
9	1	Bracket size 1 - 4	A2

## WIRING DIAGRAM

