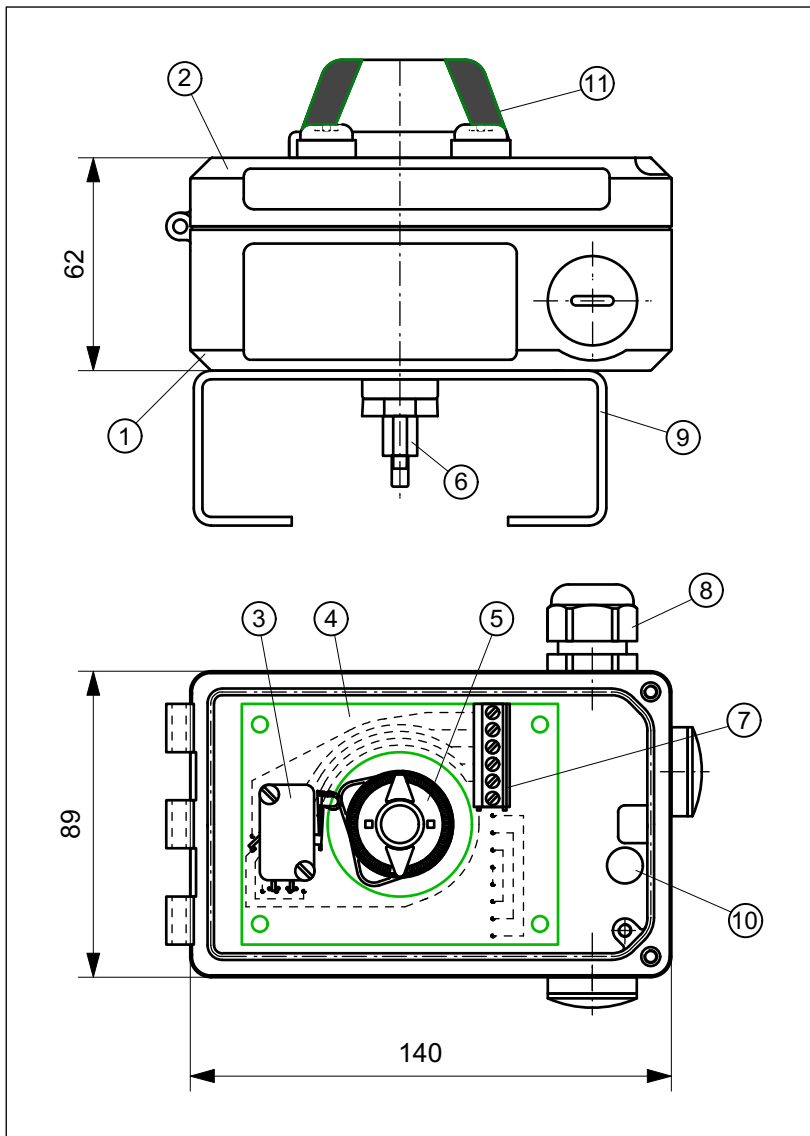




COM-Module CCR3ASTAZ0

COM-Module with two micro switches Crouzet type 83.161.301
in Aluminium housing 140 x 89 x 62 mm, with high vision beacon "Open / Closed"



TECHNICAL DATA

Manufacturer: Crouzet
 Type: 83.161.301
 Silver contacts,
 two-way contact (SPDT)

Switch. power: 4 A, 230 V AC/DC
 Economic life time: 2×10^7 switch. cycles
 Temperature: -25 ... +85°C

Housing: Aluminium
 with high vision beacon

Sealing: PUR
 Ingress protection: IP65
 Switch. precision: 1,5°

System connection: Cable gland M20x1,5
 Clamp. range 8...13 mm

OBJECT LIST

Pos.	Pcs.	Description	Material
1	1	Housing	Aluminium
2	1	Cover with hinge	Aluminium
3	2	Micro switch	-
4	1	Circuit board	-
5	1	Switch cam system	POM
6	1	Axis TCR	POM
7	1	Terminal block, 6-pole	-
8	1	Cable gland M20x1,5	PA
9	1	Bracket size 1 - 4	A2
10	1	Membrane	-
11	1	Vision beacon "Open / Closed"	-

WIRING DIAGRAM

