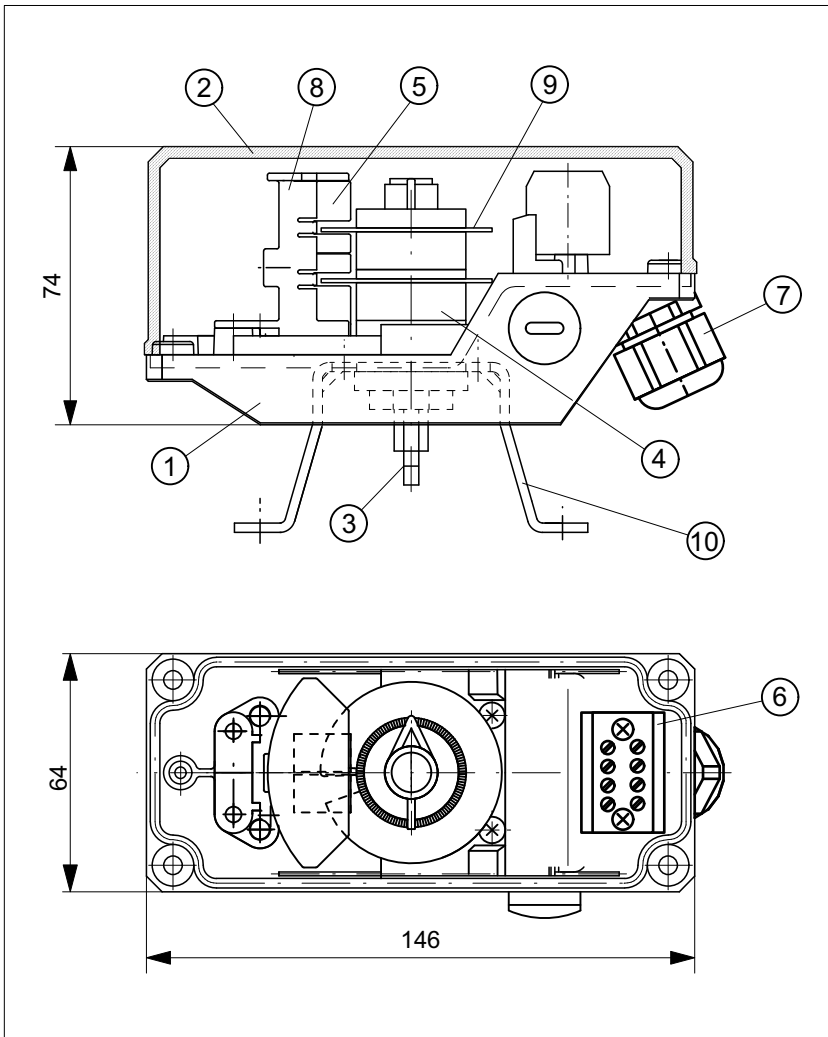




TPF3SVVAZ

TCR-Module with two proximity switches Pepperl+Fuchs type SJ3,5-SN
in TCR-Housing 146 x 64 x 74 mm



TECHNICAL DATA

Manufacturer: Pepperl+Fuchs
 Type: SJ3,5-SN, Slot type inductive, NAMUR normally closed contact with safety function

Depth of immersion: 5 ... 7 mm
 Nominal voltage: 8,2 V DC
 Current consumpt.: >= 3 mA, inactive
 0,2 ... 1 mA, active

Switch. frequency: 0 ... 3000 Hz
 Temperature: -25 ... +85°C
 Housing base: Vestamid, black
 Housing cover: Vestamid, black
 Sealing: EPDM
 Ingress protection: IP65
 Switching precision: <1.5°
 System connection: Cable gland M20x1,5
 Clamp. range 8...13 mm

Ex II 2G Ex ia IIC T6 Gb

EC-Type Examination Certificate No.
PTB 00 ATEX 2049 X

* The assignment between the max. permissible ambient temperature, the temperature class and the electrical supply data of the intrinsically safe circuit, must be taken from the EC-type examination certificate of the sensor.

OBJECT LIST

Pos.	Pcs.	Description	Material
1	1	Housing base	Vestamid
2	1	Housing cover	Vestamid
3	1	TCR-Axis	POM
4	1	Switch cam system	POM
5	2	P+F SJ 3,5-SN	-
6	1	Terminal block, 4-pole	-
7	1	Cable gland M20x1,5	PA
8	1	Sensor fastener	PA+30%GF
9	2	Switch plate	A2
10	1	Bracket size 1 - 4	A2

WIRING DIAGRAM

