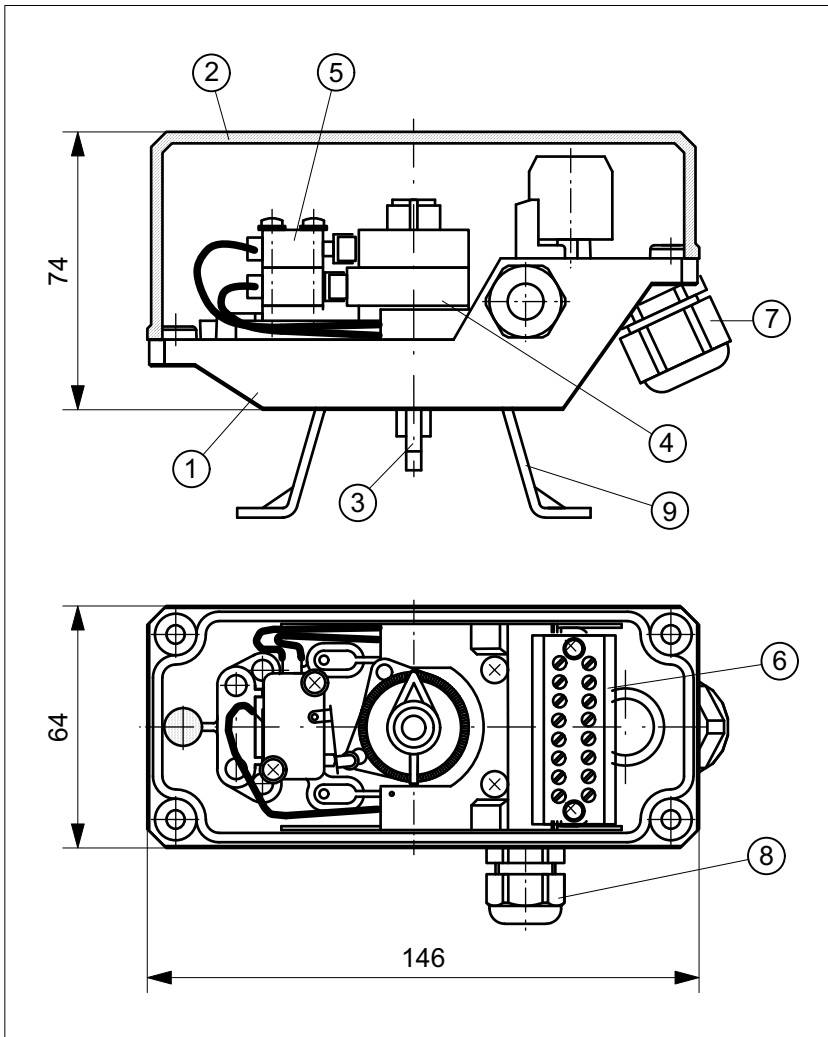




TCR3MVAZM12

TCR-Module with two micro switches Crouzet 83.161.301, in TCR-Housing 146 x 64 x 74 mm, with solenoid connection M12x1,5



TECHNICAL DATA

Manufacturer: Crouzet
 Type: 83.161.301
 Micro switch
 Switching capacity: 4 A, 250 V AC
 Contacts: Silver-nickle
 Mechanic life-time: 2×10^7 switching cycles
 Temperature: $-25 \dots +85^\circ\text{C}$
 Housing: Vestamid, black
 Cover: Macrolon, clear
 Sealing: EPDM
 Ingress protection: IP65
 Switch. precision: $<1.5^\circ$
 System connection: Cable gland M20x1,5
 Clamp. range 8...13 mm
 Solenoid connect.: Cable gland M12x1,5
 Clamp. range 4...7 mm

OBJECT LIST

Pos.	Pcs.	Description	Material
1	1	Housing base	Vestamid
2	1	Housing cover	Macrolon
3	1	TCR-Axis	POM
4	1	Switch cam system	POM
5	2	Micro switch	-
6	1	Terminal block, 8-pole	-
7	1	Cable gland M20x1,5	PA
8	1	Cable gland M12x1,5	PA
9	1	Bracket size 1 - 4	A2

WIRING DIAGRAM

