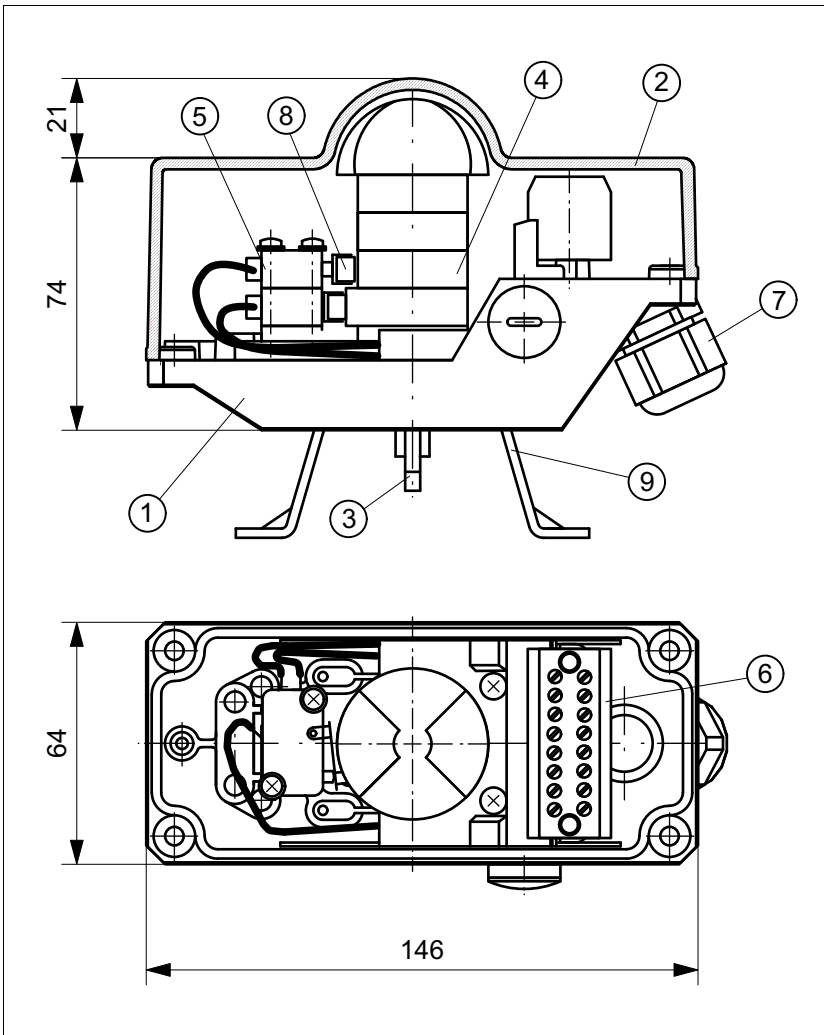




TPF2V3EMVSAZ

TCR-Module with two proximity switches Pepperl+Fuchs NBB2-V3-E2
in TCR-Housing 146 x 64 x 74 mm, with high vision beacon



TECHNICAL DATA

Manufacturer: Pepperl+Fuchs
Type: NBB2-V3-E2
inductive, PNP
normally open contact

Operating distance: 2 mm
Nominal voltage: 10 ... 30 V DC
Operating current: 0 ... 100 mA
Output: Short-circuit proof
Reverse polarity protection

Signal: LED, yellow
Temperature: -25 ... +70°C
Housing base: Vestamid, black
Macrolon, clear
with high vision beacon

Sealing: EPDM
Ingress protection: IP67 (Sensor)
IP65 (Housing)

Switch. precision: < 1.5°
System connect.: Cable gland M20x1,5
Clamp. range 8...13 mm

OBJECT LIST

Pos.	Pcs.	Description	Material
1	1	Housing base	Vestamid
2	1	Housing cover	Macrolon
3	1	TCR-Axis	POM
4	1	Switch cam system	POM
5	2	P+F NBB2-V3-E2	-
6	1	Terminal block, 8-pole	-
7	1	Cable gland M20x1,5	PA
8	2	Roller lever	-
9	1	Bracket size 1 - 4	A2

WIRING DIAGRAM

