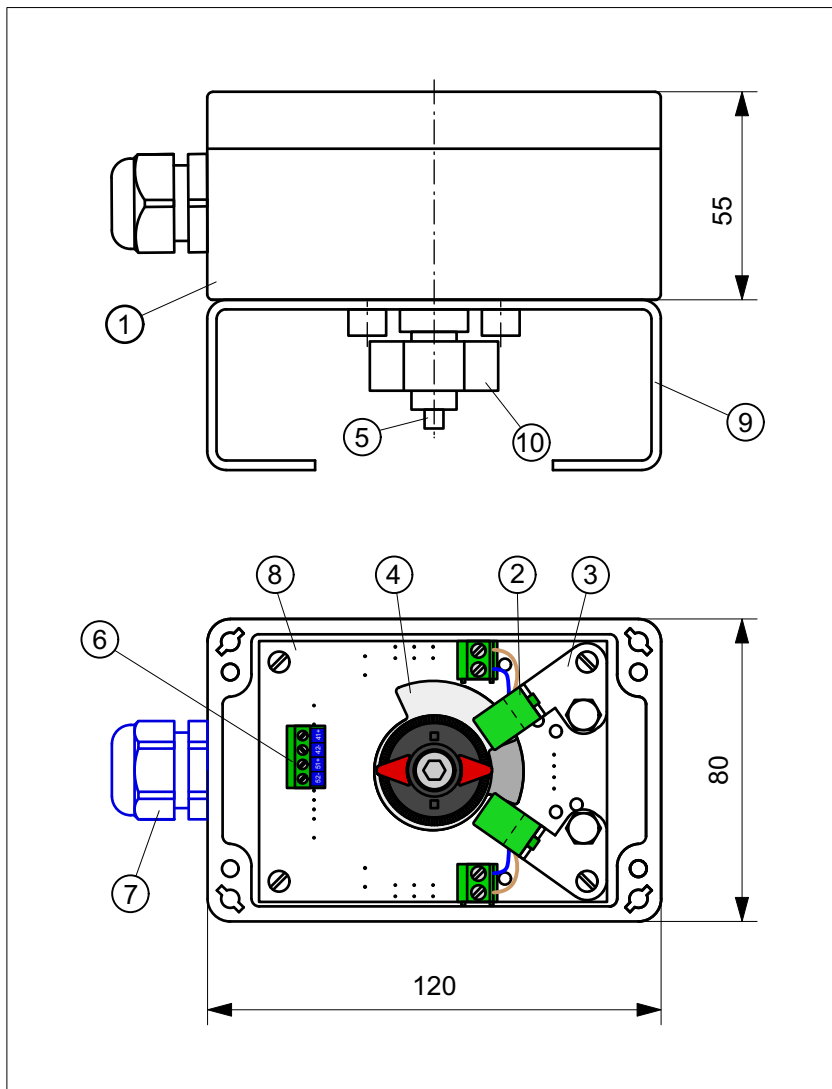




ET-Module PF3NVAZ0

ET-Module with two proximity switches Pepperl+Fuchs SJ3,5-N
on circuit board in Vestamid-Housing 120x80x55 mm



TECHNICAL DATA

Manufacturer: Pepperl+Fuchs
 Type: SJ3,5-N, slot type
 NAMUR,
 Normally closed contact

Depth of immersion: 5 ... 7 mm
 Nominal voltage: 8 V DC
 Operating current: 5 ... 25 V DC
 Current consumpt.: ≥ 3 mA, inactive
 ≤ 1 mA, active

Temperature: -25 ... +85°C
 Switch. frequency: 0 ... 3000 Hz
 Housing: Vestamid, black
 Sealing: EPDM
 Ingress protection: IP67 (IP68)
 Switching precision: $< 1.5^\circ$
 System connection: Cable gland M20x1,5
 Clamp. range 7...13 mm

Clamps: Screw clamps
 up to 1,5 mm²



II 2G Ex ia IIC T6 Gb

EC-Type Examination Certificate No.
PTB 99 ATEX 2219 X

OBJECT LIST

Pos.	Pcs.	Description	Material
1	1	Housing	Vestamid
2	2	P+F SJ3,5-N	-
3	2	Fastener SJ	A2
4	2	Switch plate	ABS + nickel plated
5	1	Axis Standard	A2
6	1	Screw clamp, 4-pole	-
7	1	Cable gland M20x1,5	PA
8	1	Circuit board	-
9	1	Bracket size 1 - 4	A2
10	1	Position indicator	PE

WIRING DIAGRAM

