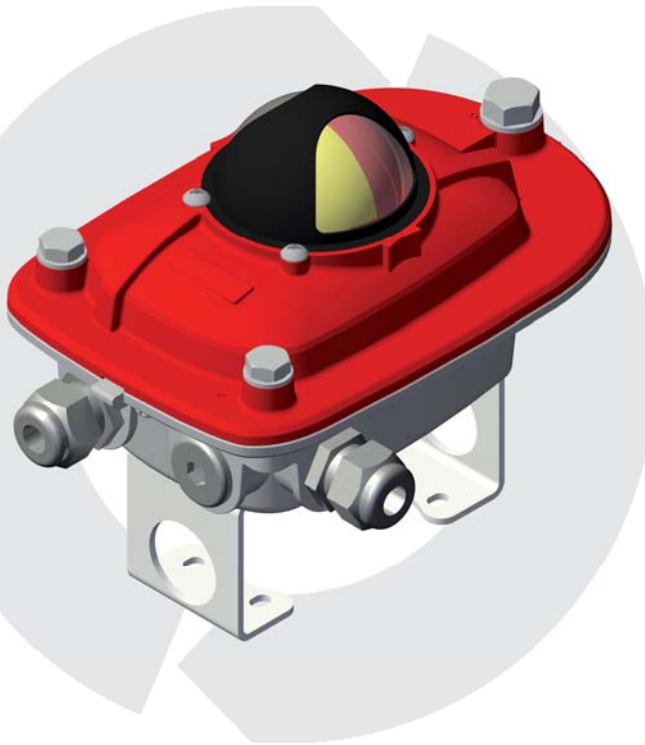


D-Box Aluminium

compact pressure-capsulated limit-switch-box

ROTECH
SYSTEMKOMPONENTEN



The aluminium D-Box is a pressure-capsulated housing, formed according to the latest researches, in innovative ROTECH-design.

The newly planned solution with a swiveling cover introduces a novelty to the market and fulfills all requirements according to the EC machinery directive. The installation and maintenance time is reduced by using only three, instead of the usual four, screws to fasten the housing cover.

In spite of its compact design the D-Box can be equipped with lots of different proximity switches, micro-switches, reed-contacts or a potentiometer (for 4-20 mA feedback signal). Three threads M20x1,5 (optionally NPT 1/2") offer various connection options.

The new, 180° slewable cover with a shaft-feedthrough and reinforced vision beacon guarantees a trouble-free operation at temperatures down to -60° C and difficult ambient conditions.



Advantages

- compact aluminium housing (193x135x114)
- captive, swiveling cover
- robust vision beacon

Ex-marking



II 2G Ex db IIB T6 Gb
II 2D Ex tb IIIC T80°C Db

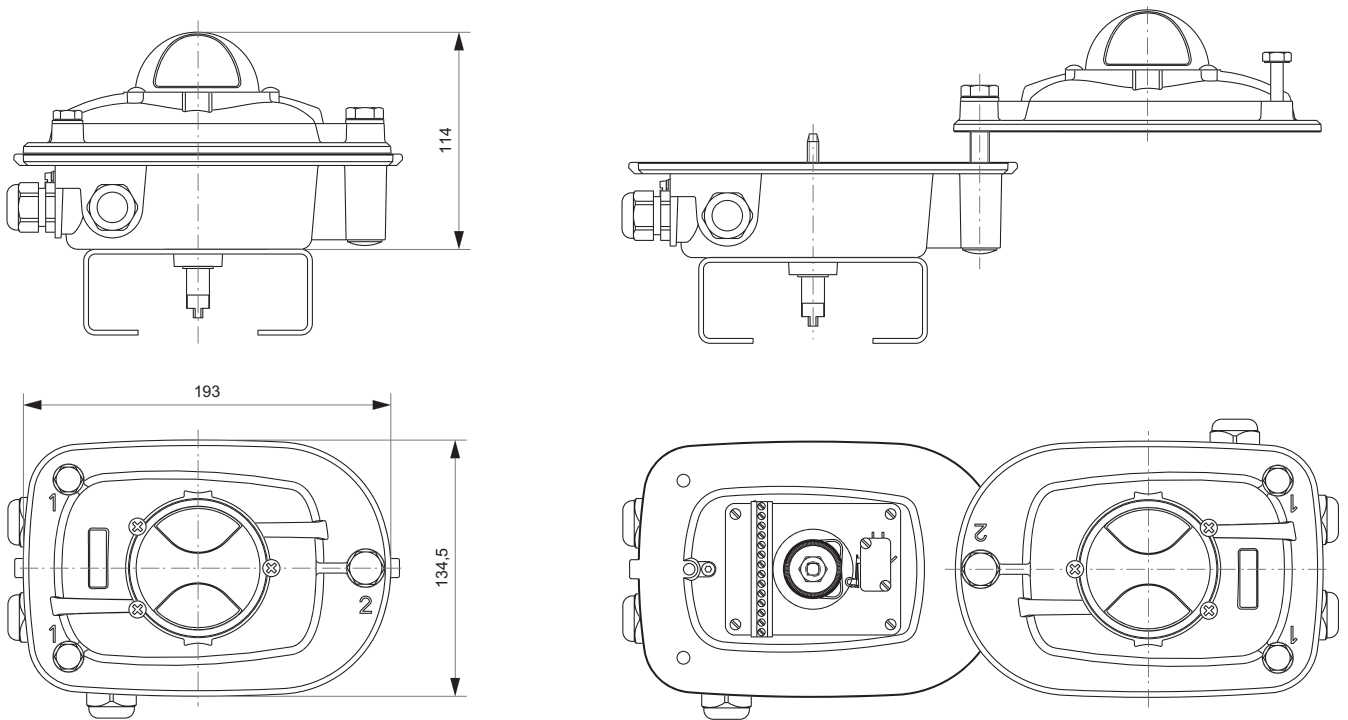
EC-type examination certificate no.:
IBExU17ATEX1050X

Technical data

Ambient temperature ¹⁾	-60 ... +60 °C
Switching precision	< 1,5°
Ingress protection (acc. DIN EN 60529)	IP65 / IP67 / IP68
Housing material	Aluminium diecasting
Sealing	NBR
Connections	3x thread M20x1,5

1) depending on the mounted sensors or switches

Dimensions



Order code

DR	Housing type	D-Box ROTTECH
CR3	Manufacturer and type of switch / sensor ²⁾	Crouzet type 83.161.301
PF3N		Pepperl + Fuchs type SJ3,5-N
PF2V3E		Pepperl + Fuchs type NBB2-V3-E2
A	Housing material	Aluminium housing
S	Cover type	Vision beacon „OPEN / CLOSED“ (yellow/red)
AZ	position feedback / qty. sensors or switches	Open and Closed (two switches / sensors)
0	Qty. of solenoid valve connections	0 = without solenoid connection
1		1 = prepared for connection of one solenoid valve
2		2 = prepared for connection of two solenoid valves
NPT	Thread type (standard: M20x1,5)	1/2" NPT thread connection

²⁾ Apart from the above mentioned types the D-Box is available with many other sensors, switches, reed-contacts or a potentiometer (for 4-20 mA position feedback)

last update: 11.10.2017

HIGHTECH
IN ROTATION



ROTECH GmbH
Im Katzentach 16-18
76275 Ettlingen
Tel.: 07243-5931-0
Fax.: 07243-5931-31
Email: info@rotech.de